

# SHARP

MX-5141N / MX-5140N

MX-4141N / MX-4140N

Digital Full Colour Multifunctional System



A3 COLOUR MFP WITH  
CLOUD CONNECTIVITY

Connected teams are stronger teams **/This is Why** you  
need our Cloud-ready MFPs.

## Nothing stays the same for ever /This is Why we're prepared for the future.

As technology advances, it makes sense to choose an MFP that can meet your needs of today, while keeping the future in mind. In other words, an MFP like the MX-5141N, MX-5140N, MX-4141N or MX-4140N.

Like most multifunction systems, they have a choice of extra-value features which you can specify now or install later as upgrades.

But what really makes them stand out is an entire suite of advanced connectivity and information-sharing features. Plus, you can connect them wirelessly wherever you want for ultimate flexibility.

### HIGH PRODUCTIVITY WITH ADVANCED FUNCTIONALITY



### SIMPLE CONNECTION DIRECT TO THE CLOUD

### Cloud-ready

There is a growing trend – particularly among mobile workers - to use cloud computing for storing files and running applications. Now we've built that indispensable technology into our latest workgroup MFPs.

Simply walk up to the MFP, log on at the control panel, and touch the Cloud Portal button. Everything that you've got in the Cloud – your documents and files – are right there, available from the comfortably large colour LCD control panel.

You get optional internet access, too, so you can search the web for any information you need, download documents or print them out for later.

### Making the right connection

Plus, we're already working on further connectivity breakthrough with AirPrint\* technology which broadcasts a signal to iPhone, iPad, and Mac environments, so the user knows that an MFP is available.

### Sharp Mobile Print and Scan App

This free App makes it easy for anyone with a smartphone or tablet to connect to the MFP over your Wi-Fi network. They can preview and print PDFs, JPGs, TIF files and email attachments, and scan from the MFP to mobile devices just as easily.



\*Enquire for availability



Every business is different /This is Why we give you more options.



All four models deliver enhanced 1200 x 1200 A3 output and feature Adobe PostScript 3 as standard.

Start by choosing a model that's fast enough for your regular workload. For some, the ability to print in colour as well as black & white at speeds of 41 pages per minute (ppm) is more than ample.

Busier workgroups, and people who sometimes have to deal with urgent deadlines, will appreciate the 51 ppm version.

You also get a choice of document feeders (one of which can handle up to 170 two-sided originals per minute) and the ability to create High Compression PDFs (standard for the MX-5141N and MX-4141N) – perfect if you'll be scanning or copying a lot of documents.

### Customise your MFP

The paper capacity can be expanded from 1,100 sheets right the way up to 6,600 sheets for longer uninterrupted printing. You can also print on long paper to create banners.

Whatever you decide, you'll find that even the most complex configuration is remarkably easy to use.

The multi-touch finger-swipe LCD control panel gives you fingertip control of every function and feature, including document filing. Plus, you can preview and manipulate multi-page documents on screen, and use flick, slide, tap, pinch and spread gestures to get exactly the results you want.

The control panel tilts into five positions for comfortable viewing and there is a retractable QWERTY keyboard for easy data entry (standard for the MX-5141N and MX-4141N).

## Some things can't be left to chance /This is Why we take care of them for you.

Sharp OSA-enabled MFPs can give you even more than the powerful print, copy, scan, fax and email functions that you've come to expect from Sharp.

Thanks to our technology partners, our latest MFPs can be a gateway to your network, giving you and your team the information that's needed for timely, effective decision making. What's more, they can automate time-consuming manual tasks such as document scanning, indexing and filing.

### Supporting your environmental objectives

These Energy Star-certified MFPs will prompt you to consider using eco-friendly printing features whenever appropriate. They also have a self-adjusting automatic shutdown capability, which complements their pre-set power off schedules, and a special Eco Scan mode for even greater energy savings.

### Keeping you safe and secure

Sharp MFPs come with many robust security features, such as the encryption and secure erasure of data on the hard disk (automatically as well as on-demand) and password-controlled access for routine user authentication.

In addition, they can protect sensitive data by scanning documents into encrypted PDFs and prevent unauthorised copying, scanning, faxing and filing with our Document Control\* Function. Data Initialisation lets you completely erase data from the MFP when it's time to replace it.

What's more, the MFP's 320 GB internal hard drive can be accessed from across the network, making it ideal for storing any documents that you want to share.



### MULTI-LEVEL SECURITY



\*Requires MX-FR42U Data Security Kit

# We know how busy you are /This is Why our MFPs are easy to manage.

You can configure every important setting of these powerful MFPs through a single dedicated web page. But that's just one of many ease-of-use features.

A **Printer Status Monitor** on your PC lets you check that there's enough toner and paper before you start a job. A glance at the **Job Status Screen** will reveal every copy and print job and its position in the queue. And an alert will pop up as soon as your documents are printed.

A **Remote Diagnosis** feature monitors the MFPs through a web browser, and sends timely email messages when maintenance is required.

**Sharp Remote Device Manager** provides real-time control of your Sharp MFPs - again, through a browser - making technical support, driver installation and firmware upgrades easier than ever.

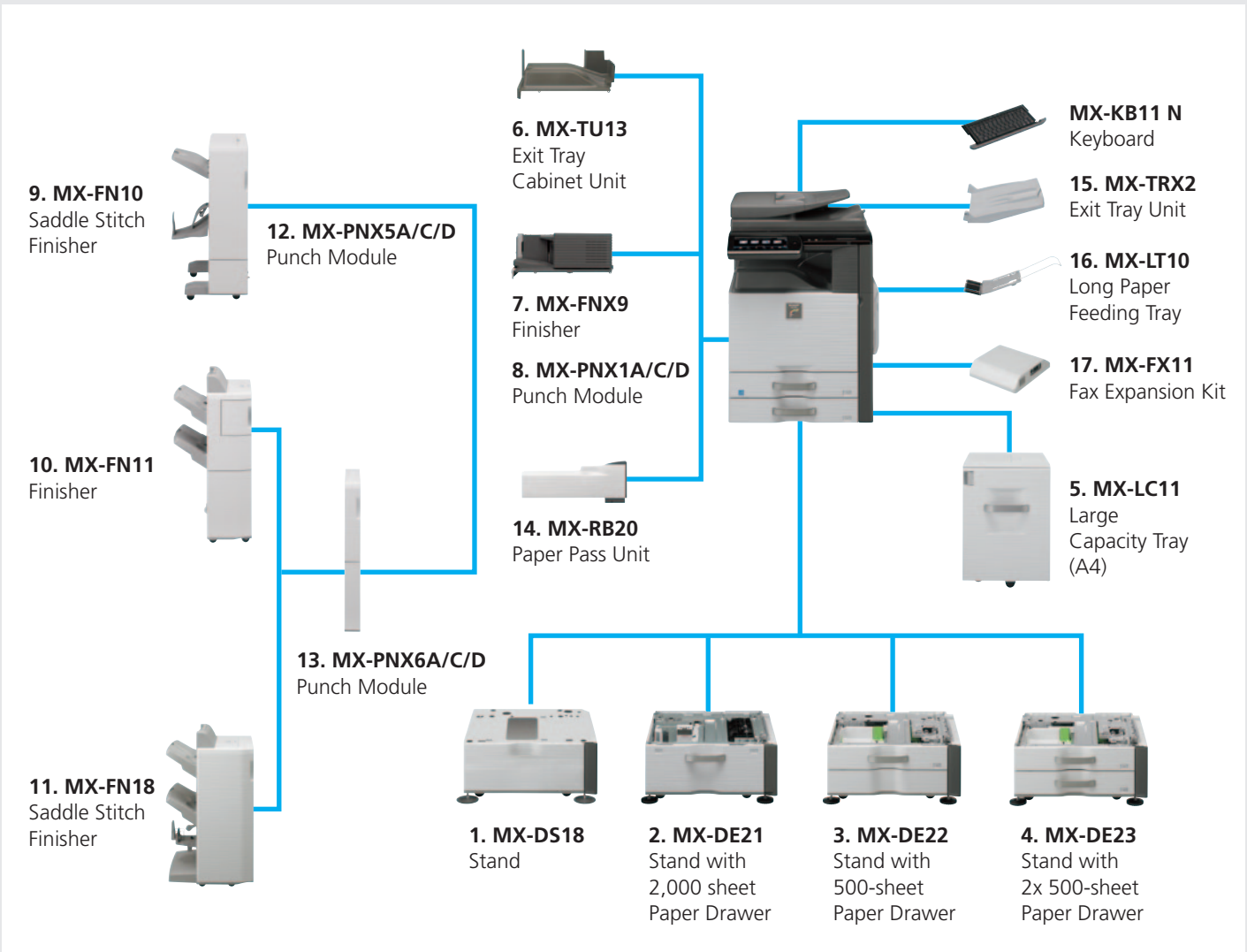
Your support staff can even remotely view\* and operate the front panel display, taking control, changing settings, fixing problems and providing ad hoc training, without ever leaving their desks, thanks to our innovative **Remote Access Control Panel**.

## REMOTE ACCESS CONTROL PANEL



\*Requires VNC application

# Configuration Examples



Base Unit  
Finisher (MX-FNX9)  
Stand with  
2 x 500 Sheet Paper Drawers  
Exit Tray



Base Unit  
1K Saddle Stitch Finisher (MX-FN10)  
Punch Module (MX-PNX5A/C/D)  
Paper Pass Unit  
Stand with 2 x 500-Sheet Paper Drawers  
Exit Tray  
Large Capacity Tray



Base Unit  
4K Saddle Stitch Finisher (MX-FN18)  
Punch Module (MX-PNX6A/C/D)  
Paper Pass Unit  
Stand with 2000-Sheet Paper Drawers  
Exit Tray  
Large Capacity Tray



## Base Unit

**MX-KB11 N Keyboard** - standard for MX-5141N/MX-4141N

**1. MX-DS18 Stand** - For MFP height adjustment

**2. MX-DE21 Stand with 2000-Sheet Paper Drawers**

Left tray: B5 – A4, 1150 sheets (80 g/m<sup>2</sup>)

Right tray: A4, 1 x 850 sheets (80 g/m<sup>2</sup>)

**3. MX-DE22 Stand with 500-Sheet Paper Drawer**

A3 to A5R, 500 sheets each (80 g/m<sup>2</sup>)

**4. MX-DE23 Stand with 2 x 500-Sheet Paper Drawers**

A3 to A5R, 500 sheets each (80 g/m<sup>2</sup>)

**5. MX-LC11 Large Capacity Tray**

A4 to B5, 3,500 sheets (80g/m<sup>2</sup>)

## Finishing

**6. MX-TU13** Exit Tray Cabinet Unit

**7. MX-FNX9 Finisher**

A3W to A5R (non offset), A3 to B5 (offset/staple)

Offset tray (upper): max. 500-sheet paper capacity\*<sup>1</sup>

Stapling capacity: max. 50-sheet multi-position staple\*<sup>1</sup>

Staple position: 3 locations (front, rear or 2 point stitching)

**8. Optional Punch Module for MX-FNX9:**

**MX-PNX1A/C/D** - 2/4/4 Hole Wide Punch Module

**9. MX-FN10 Saddle Stitch Finisher** (1,000-Sheet)

**10. MX-FN11 Finisher** (4,000 sheet)

A3 to B5 (offset/staple), A3W to A5R (non offset)

Upper Tray: max. 1,550-sheet paper capacity\*<sup>1</sup>

Lower Tray: max. 2,450-sheet paper capacity\*<sup>1</sup>

Stapling capacity: max. 50-sheet multi-position staple\*<sup>1</sup>

Staple position: 3 locations (front, rear or 2 point stitching)\*<sup>1</sup>

**11. MX-FN18 Saddle Stitch Finisher** (4,000-Sheet)

A3 to B5 (offset/staple), A3W to A5R (non offset)

Offset tray (upper): max. 1,000/4,000-sheet paper capacity\*<sup>1</sup>

Stapling capacity: max. 50-sheet multi-position staple\*<sup>1</sup>

Staple position: 3 locations (front, rear or 2 point stitching)\*<sup>1</sup>

Saddle stitch tray (lower): 10 sets (11-15 sheets), 15 sets (6-10 sheets), 20 sets (1-5 sheets). 15 sheets max per set.

**12. Punch Module for MX-FN10**

**MX-PNX5A/C/D** - 2/4/4 Hole Wide Punch Module

**13. Punch Module for MX-FN11 and MX-FN18**

**MX-PNX6A/C/D** - 2/4/4 Hole Wide Punch Module

**14. MX-RB20 Paper Pass Unit**

Required when using MX-FN10, MX-FN11 or MX-FN18

**15. MX-TRX2 Exit Tray Unit**

**16. MX-LT10 Long Paper Feeding Tray**

## Faxing

**17. MX-FX11 Fax Expansion Kit**

Super G3 fax module

**MX-FWX1 Internet Fax Expansion Kit**

## Printing

**MX-PUX1 XPS Expansion Kit**

**MX-PF10 Barcode Font Kit**

## Scanning

**AR-SU1 Stamp Unit**

Marks already scanned documents for checking

**MX-EB11 Enhanced Compression Kit**

Enables creation of high compression PDFs

Standard for MX-5141N/MX-4141N

## Sharpdesk™ Licenses

**MX-USX1/X5/10/50/A0**

1/5/10/50/100-License Kit

## Sharp OSA®

**MX-AMX1 Application Integration Module**

## Security

**MX-FR42U Data Security Kit\*<sup>2</sup>**

Commercial version

(Common Criteria validated version will also be available at a later date)

**MX-EB12 N Mirroring Kit**

Second hard drive enabling data backup of files stored on HDD

\*<sup>1</sup> A4 or smaller, 80g/m<sup>2</sup>. Some options may not be available in some areas. \*<sup>2</sup> Available at a later date.

# Specifications

## General

<b>Engine speed</b> (ppm/cpm) (Max)		
<b>Colour &amp; B/W</b>	<b>A4</b>	<b>A3</b>
MX-5141N/MX-5140N	51	23
MX-4141N/MX-4140N	41	19
<b>Paper size</b> (Min – Max)		
Drawer	A5R – A3	
Multi-bypass	A5R – A3W	
<b>Paper weight</b> (g/m <sup>2</sup> )		
Drawer	60 – 220*1	
Multi-bypass	55 – 300	
<b>Paper capacity</b> (Std – Max)		
Sheets	1,100 – 6,600	
Drawers	2 – 5 (plus bypass tray)	

<b>Warm-up time</b> *2 (seconds)	
MX-5141N/MX-5140N	30
MX-4141N/MX-4140N	28
<b>Memory</b> Std (GB)	
Copier/Printer (shared)	4
HDD*3	320
<b>Power requirements</b>	Rated local AC voltage ±10%, 50/60 Hz
<b>Power consumption</b> (kW) (Max)	1.84 (220 - 240V)
<b>Dimensions</b> (mm) (W x D x H)	
MX-5141N/MX-4141N	648 x 764 x 960
MX-5140N/MX-4140N	648 x 764 x 954
<b>Weight</b> (kg)	
MX-5141N/MX-4141N	126
MX-5140N/MX-4140N	119

## Copier

<b>Original paper size</b> (Max)	A3
<b>First copy time</b> *4 (seconds)	<b>Full Colour</b> <b>B/W</b>
MX-5141N/ MX-5140N	5.7                    4.1
MX-4141N /MX-4140N	6.7                    4.7
<b>Continuous copies</b> (Max)	999
<b>Resolution</b> (dpi)	
Scan (colour)	600 x 600
Scan (b/w)	600 x 600, 600 x 400
Print	600 x 600, 9600 (equivalent) x 600*5 (depending on print mode)
<b>Gradation levels</b>	256
<b>Zoom range</b> (%)	25 – 400 (25 – 200 using RSPF/DSPF) in 1% increments
<b>Preset copy ratios</b>	10 (5R/5E)

## Network Printer

<b>Resolution</b> (dpi)	1200 x 1200, 600 x 600, 9600 equivalent*5 x 600
<b>Interface</b>	USB 2.0 10Base-T/100Base-TX/1000Base-T
<b>Supported OS</b>	Std Windows® XP, Windows Server® 2003/2008/2008R2/2012, Windows Vista®, Windows® 7, Windows® 8 Mac OS X 10.4, 10.5, 10.6, 10.7, 10.8
<b>Network protocols</b>	TCP/IP (IPv4, IPv6), IPX/SPX (NetWare), EtherTalk (AppleTalk)
<b>Printing protocols</b>	LPR, Raw TCP (port 9100), POP3 (e-mail printing), HTTP, Novell Printserver application with NDS and Bindery, FTP for downloading print files, EtherTalk printing, IPP
<b>PDL emulation</b>	Std PCL6 emulation, Adobe® PostScript® 3™ Opt*6 XPS
<b>Available fonts</b>	PCL 80 PS3 136
<b>Printer utilities</b>	Sharpdesk Mobile

## Wireless LAN

<b>Compliant regulation</b>	IEEE802.11n/g/b
<b>Access mode</b>	Infrastructure mode, Software AP mode
<b>Security</b>	WEP, WPA Personal, WPA Enterprise*7, WPA2 Personal, WPA2 Enterprise*7

## Notes

\*1 60 - 105gsm for MX-DE21. \*2 At rated voltage. May vary depending on machine conditions and operating environment. \*3 1 GB = One billion bytes when referring to hard drive capacity. Actual formatted capacity is less. \*4 Best achieved time based on A4 copy, long-edge feeding from 1st paper drawer, using document glass, when machine is ready, without Auto Colour Mode and Auto Colour Selection. May vary depending on machine conditions and operating environment. \*5 Resolutions higher than 600 dpi are interpolated. \*6 XPS requires optional MX-PLX1. To view XPS files on PCs not running Windows Vista, you must have the XPS View application installed. \*7 Not applicable to Software AP mode. \*8 Colour only. \*9 Optional MX-EB11 required for MX-5140N/4140N. \*10 The storage capacity will vary depending on the type of document and scan settings. \*11 Optional MX-FX11 required. \*12 Based on Sharp's standard chart with approx. 700 characters (A4 portrait) at standard resolution in Super G3 mode, 33,600 bps, JBIG compression.

Design and specifications are subject to change without prior notice. All information was correct at time of print. The ENERGY STAR logo is a certification mark and may only be used to certify specific products that have been determined to meet the ENERGY STAR programme requirements. ENERGY STAR is a US registered mark. The ENERGY STAR guidelines apply to products only in the US, Europe, Australia, New Zealand and Japan. Windows, Windows NT, Windows XP and Windows Vista are registered trademarks of Microsoft Corporation. All other company names, product names and logos are trademarks or registered trademarks of their respective owners. ©Sharp Corporation June 2013 Ref: MX-5141N/4141N/ MX-5140N/4140N. All trademarks acknowledged. E&OE. UK V1 Aug 2013

## Colour Network Scanner

<b>Scan method</b>	Push scan (via operation panel) Pull scan (TWAIN-compliant application)
<b>Resolution</b> (dpi)	
Push scan	100, 150, 200, 300, 400, 600
Pull scan	75, 100, 150, 200, 300, 400, 600 dpi, 50 – 9600 dpi via user setting*5
<b>File formats</b>	XPS, TIFF, PDF, Encrypted PDF, PDF/A, Compact PDF**9, JPEG (colour only)
<b>Scan destinations</b>	Scan to e-mail, desktop, FTP server, network folder (SMB), USB memory
<b>Scanner utilities</b>	Sharpdesk, Sharpdesk Mobile

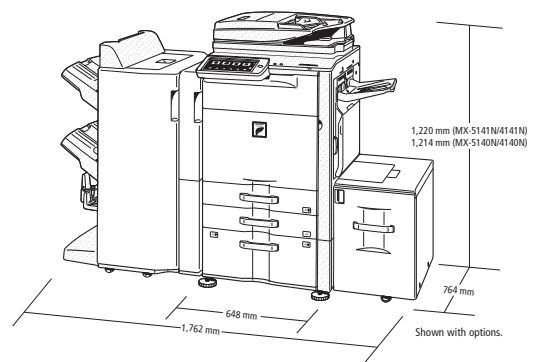
## Document Filing

<b>Document filing capacity</b> (pages / or files)	
Main and custom folders	20,000*10 or 3,000
Quick file folder	10,000*10 or 1,000
<b>Stored jobs</b>	Copy, print, scan, fax transmission*11
<b>Storage folders</b>	Quick file folder, main folder, custom folder (max. 1,000 folders)
<b>Confidential storage</b>	Password protection (for main and custom folders)

## Fax (requires optional MX-FX11)

<b>Compression method</b>	MH/MR/MMR/JBIG
<b>Communication protocol</b>	Super G3/G3
<b>Transmission time</b> *12 (seconds)	Less than 3
<b>Modem speed</b> (bps)	33,600 – 2,400 with automatic fallback
<b>Transmission resolution</b> (dpi)	
Std	203.2 x 97.8
Ultra Fine	406.4 x 391
<b>Recording width</b>	A5 - A3
<b>Memory</b> (GB)	1
<b>Grey scale levels</b>	256

## External Dimensions



# This is Why

[www.sharp.co.uk](http://www.sharp.co.uk)

# SHARP

SHARP ELECTRONICS (UK) LTD  
4 FURZEGROUND WAY  
STOCKLEY PARK  
UXBRIDGE  
MIDDLESEX UB11 1EZ  
TEL: 0800 138 5051  
ROI: (+353) (0) 20 8734 2000

