



MX-6070V/5070V  
MX-4070V/3570V/3070V  
MX-4060V/3560V/3060V  
Digital Full Colour Multifunctional System

[www.sharp.co.uk](http://www.sharp.co.uk)

**SHARP**  
Be Original.

# The best of both worlds.

In today's world, there are more ways to access and share information than ever before, so choose an office MFP that makes moving between print and digital, efficient and easy.

Whether it's printing reports for a meeting, copying key documents for colleagues or scanning and sharing to email contacts, we all want our everyday office processes to be as smooth and speedy as possible. And today, we have even more requirements to add to the equation, such as pulling documents from multiple sources including cloud storage and mobile devices, or reducing energy costs and usage.

These next generation MFPs meet all of these needs and more. Pairing forward-thinking connectivity with efficient design and an easy-to-use interface, they're equipped to help everyone in your team work the way they want to. Opening up new possibilities – and boosting productivity.

## Mastering the basics

Rely on top quality results, every time. With these MFPs, excellence comes as standard.

**Print:** choose from models that can print up to 60, 50, 40, 35 or 30 pages per minute, on paper sizes up to SRA3 and weights up to 300 g/m<sup>2</sup>.

**Copy:** create first class copies, with superb image quality of 1200 x 1200 dpi.

**Scan:** Place your documents in the Document Feeder<sup>\*1\*2</sup> and let the MFP do the rest. Auto Colour Mode lets you process mixed batches at the same time, at a speed of 200<sup>\*1</sup> or 80<sup>\*2</sup> impressions per minute.



150-sheet Duplex Single Pass Feeder<sup>\*1</sup>



100-sheet Reversing Single Pass Feeder<sup>\*2</sup>

**Finish:** produce professional documents with a choice of finishing options including saddle-stitching, manual and stapleless stapling.



Manual stapling.



Stapleless stapling.

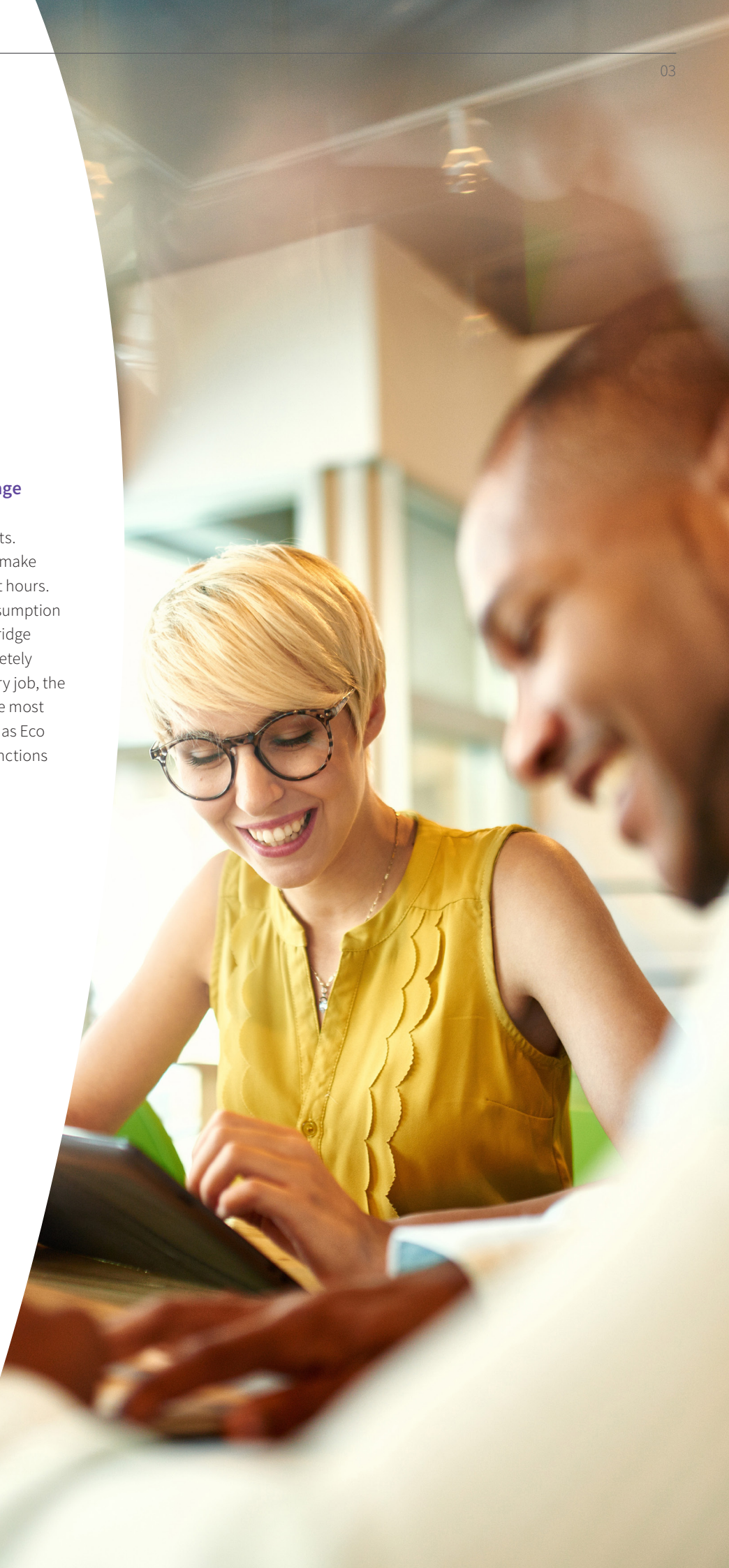
<sup>\*1</sup> MX-6070V/MX-5070V/MX-4070V/MX-3570V/MX-3070V only.

<sup>\*2</sup> MX-4060V/MX-3560V/MX-3060V only.



**High performance, low energy usage**

Unlock faster, more efficient document processing – while reducing running costs. Automatic, configurable power settings make sure the MFP only switches on during set hours. Low-melt toner reduces the energy consumption on every print or copy run, with the cartridge automatically ejecting only when completely empty, to eliminate waste. And with every job, the control panel prompts you to choose the most environmentally friendly settings – such as Eco Scan, which makes sure unnecessary functions don't power up in the background.



# Helping you do more for your business.

With smarter technology that meets your needs, spend less time at the printer – and more time achieving your goals.

Waiting for the printer to warm up. Spending valuable time fiddling with complex settings – before having to stop everything and replace the toner. We know these common headaches all too well – so we designed our MFPs to work around them.

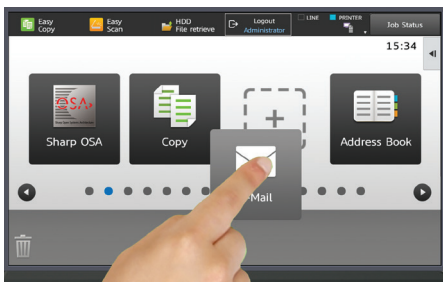
As you approach the MFP, a motion sensor will wake it up and make sure it's ready to use. Sign in, and you'll have a host of time saving features at your fingertips so you can finish your job in a flash.



Ready when you are.

## Get going in no time

Tilt the large, colour touch screen for easy viewing. Use intuitive motions such as pinching and spreading to zoom in and out. You can even drag and drop menu icons of your most frequently used functions to your home screen to create short cuts. And if you ever have a question about what to do next, take a look at the embedded 'quick help' guide.



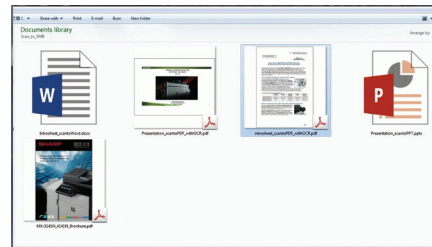
Create your own home screen by dragging and dropping frequently used icons.

## Efficient from start to finish

No more walking back to the PC for last minute edits before printing. Use the Advanced Preview function to check and edit your documents straight from the MFP.

No one likes interruptions. That's why these MFPs\* let you top up the toner without pausing what you're doing.

Save time on scanning, too. A powerful Optical Character Recognition feature enables you to scan your document in formats including fully searchable PDFs and editable Microsoft Office files (Word, PowerPoint and Excel). Its simple to digitise and store essential information without the need to retype documents you only have in hard copy.



Convert scanned documents into editable files.

Our unique Auto Process Control and Developer Refresh System make sure that the last page of the day is as good as the first.

\* MX-6070V/MX-5070V only.







# Making connections, made easy.

Access your digital world with ease – giving everyone a simpler way to share information, wherever they are.

## Sign in once, access everything

Why be anchored to one spot? This range of MFPs can act as print servers – simply use the Print Release function to print from any Sharp MFP (in the same range) on your network\*<sup>1</sup>. No need to leave important documents unattended.

From cloud storage to remote workers using mobile devices, today's workplace is built on flexibility. These MFPs are no different, offering you a wide choice of ways to print, copy, scan and share the information you need, to help your business run smoothly.



Google Drive



## Connect the way you want to

### The cloud

Put all your files at your fingertips. With Single Sign-on, connect to cloud storage services including Google Drive™, OneDrive®, Sharepoint®, Microsoft Online, Box and Sharp Cloud Portal Office straight from the control panel. Print from and scan to the cloud quickly and easily – with no need to constantly enter usernames and passwords.

### Mobile

These MFPs are made for a mobile world. Sharpdesk Mobile lets you print from and scan to mobiles and tablets over your wireless network and you can also print from any app that supports Google Cloud Print\*<sup>2</sup> or the Android printing framework (Sharp Print Service Plugin).

Alternatively, you can connect with the MFP via NFC\*<sup>3</sup> (Near Field Communication) if you move close enough, or use your phone to scan the QR code on the MFP. Either way, all the configuration is done for you.

\*<sup>1</sup> Can be used from any of five network-connected MFPs.  
\*<sup>2</sup> Not available in every country.

\*<sup>3</sup> NFC requires commercially available NFC card reader.





### Email

Send scanned data directly from the MFP to your key contacts. Mail service connectors give you access to your Gmail™ or Microsoft Exchange accounts.

### USB

Print Microsoft Office files straight from a memory stick. Just plug it in, choose your files and start printing. You can also scan and save documents straight to a USB.



Simply plug your USB memory stick into the MFP and start printing.

### Keeping you secure

Flexibility doesn't compromise security. Advanced features such as user authentication and high security logins make sure your cloud storage and mobile networks are only accessible to the right people. These MFPs also come with S/MIME for secure email communications, so you can relax knowing that your data is protected.

And for maximum protection, as required by Government, Military and Legal organisations, your IT administrator can permanently enable\*<sup>1</sup> the highest level of security, which conforms to the Hard Copy Device Protection Profile (HCD PP\*<sup>2</sup>) standard.\*<sup>3</sup>

\*<sup>1</sup> Once enabled, some functions may not be available.

\*<sup>2</sup> HCD PP ver.1.0 - non Common Criteria

\*<sup>3</sup> Some features may require optional MX-FR52U Data Security kit

# Powering efficiency across your business.

As well as saving time, energy and costs on day-to-day office tasks, open up new ways to streamline your business as a whole.



Whether it's opening up valuable resources to unauthorised users, or misplacing valuable, hard-copy documents, the costs of not being completely in control of your business's information infrastructure can soon add up.

This range of MFPs are designed to not only transform everyday printing, copying and scanning tasks for the better, but, when paired with Cloud Portal Office and one or more of our Optimised Software Solutions, you can reach new levels of efficiency and productivity across the business.

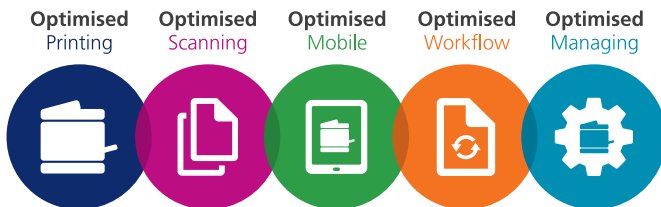
## Introducing Cloud Portal Office

Access all the documents you need to from any web-enabled device with our award-winning cloud-based document management system. You can access Cloud Portal Office on one of these MFPs or on your phone, laptop or tablet - or even on our BIG PAD interactive display - to help you capture, store and share key documents with ease.

What's more, by scanning automatically indexed documents to the cloud and alerting colleagues via email directly from the MFP, you can give everyone the information they need, wherever they are.







### Optimised Software Solutions

We've created a range of Optimised Software Solutions to help you reduce your costs, increase efficiency and improve security.

Our **Optimised Printing Solutions** help you monitor and manage your print and copy usage, eliminate unauthorised use, track and recover costs and reduce waste.

Our **Optimised Scanning Solutions** save time and avoid costly errors by simplifying and automating how you store and share documents – whatever their format.

Our **Optimised Mobile Solutions** create a more flexible team by helping people connect tablets, phones and laptops simply and securely, so they're always in touch.

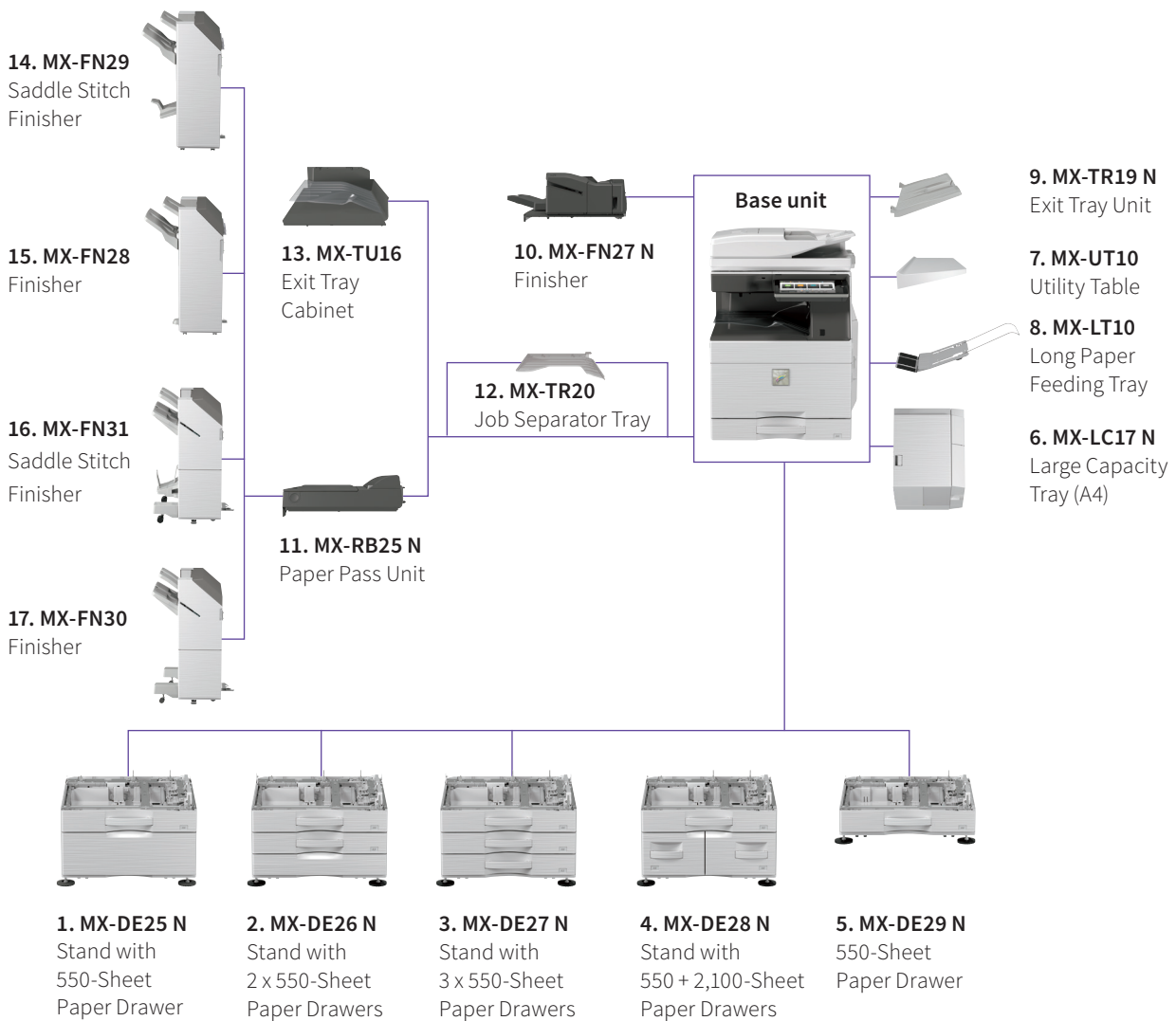
Our **Optimised Workflow Solutions** help restore the productivity you need to achieve and maintain profitable growth by streamlining and simplifying repetitive tasks.

Our **Optimised Managing Solutions** are designed to ease the burden of managing your MFPs and reduce the cost of ownership.



*Smart technology meets forward-thinking connectivity. Helping your teams become more efficient, and more effective.*

# Configurations



# Options

## Base unit

- 1. MX-DE25 N Stand with 550-Sheet Paper Drawer**  
550 sheets\*<sup>1</sup>, SRA3 to A5R (60 - 300 g/m<sup>2</sup>)
- 2. MX-DE26 N Stand with 2 x 550-Sheet Paper Drawer**  
550 sheets\*<sup>1</sup> each for lower and upper trays, SRA3 to A5R (60 - 300 g/m<sup>2</sup>)
- 3. MX-DE27 N Stand with 3 x 550-Sheet Paper Drawer**  
550 sheets\*<sup>1</sup> each for lower and upper trays, SRA3 to A5R (60 - 300 g/m<sup>2</sup>)
- 4. MX-DE28 N Stand with 550 + 2,100-Sheet Paper Drawer**  
Upper tray: SRA3 - A5R, 550 sheets\*<sup>1</sup> (80 g/m<sup>2</sup>)  
Lower tray (Left): A4, 1,200 sheets\*<sup>1</sup> (60 - 105 g/m<sup>2</sup>)  
Lower tray (Right): A4 - B5, 900 sheets\*<sup>1</sup> (60 - 105 g/m<sup>2</sup>)
- 5. MX-DE29 N 550-Sheet Paper Drawer**  
550 sheets\*<sup>1</sup>, SRA3 to A5R (60 - 300 g/m<sup>2</sup>)
- 6. MX-LC17 N Large Capacity Tray (A4)**  
3,000 sheets\*<sup>1</sup>, A4 - B5 (60 - 220 g/m<sup>2</sup>)
- 7. MX-UT10 Utility Table**

## Finishing

- 8. MX-LT10 Long Paper Feeding Tray**  
Recommended for banner printing
- 9. MX-TR19 N Exit Tray Unit**
- 10. MX-FN27 N Inner Finisher**  
A3 - B5 (offset/staple), SRA3 - A5R (non offset)  
Offset tray (upper): max. 500-sheet paper capacity\*<sup>1</sup>  
Stapling capacity: max. 50-sheet multi-position staple\*<sup>1</sup>  
Staple position: 3 locations (front, rear or 2 point stitching)  
Manual Stapling: 1-point at rear (Flat), 45 sheets (64 g/m<sup>2</sup>), 40 sheets (80 g/m<sup>2</sup>)  
Stapleless capacity: max.5-sheet (64 g/m<sup>2</sup>), 4 sheet (65 - 81.4 g/m<sup>2</sup>), 3 sheet (81.5 - 105 g/m<sup>2</sup>)  
Stapleless position: 1-point at rear (Slant), A3 - B5
- Optional Punch Module for MX-FN27 N:**  
**MX-PN14C - 2/4 Hole Punch Module**  
**MX-PN14D - 4 Hole Wide Punch Module**

\*<sup>1</sup> Number of sheets based on 80 g/m<sup>2</sup>.



## Options

### 11. MX-RB25 N Paper Pass Unit

Required when using MX-FN28, MX-FN29, MX-FN30 & MX-FN31

### 12. MX-TR20 Job Separator Tray

Requires MX-TU16 Exit Tray Cabinet

### 13. MX-TU16 Exit Tray Cabinet

### 14. MX-FN29 1k Saddle Stitch Finisher

A3W - A5R (offset/staple), SRA3 - A5R (non offset)

Offset tray (upper): max.1,000-sheet paper capacity\*<sup>1</sup>

Stapling capacity: max. 50-sheet multi-position staple\*<sup>1</sup>

Staple position: 1-point at front (Flat), 1-point at back (Flat), 2 point stitching

Saddle stitch tray (lower): 7 sets (11-15 sheets), 10 sets (6-10 sheets),

20 sets (1-5 sheets). 15 sheets max per set

### 15. MX-FN28 1k Finisher

A3W - A5R (offset/staple), SRA3 - A5R (non offset)

Offset tray (upper): max.1,000-sheet paper capacity\*<sup>1</sup>

Stapling capacity: max. 50-sheet multi-position staple\*<sup>1</sup>

Staple position: 1-point at front (Flat), 1-point at back (Flat), 2 point stitching

### Optional Punch Module for MX-FN29 & MX-FN28:

#### MX-PN15C - 2/4 Hole Punch Module

#### MX-PN15D - 4 Hole Wide Punch Module

### 16. MX-FN31 3k Saddle Stitch Finisher

A3 - B5 (offset/staple), SRA3 - A5R (non offset)

Offset tray (upper): max.3,000-sheet paper capacity\*<sup>1</sup>

Stapling capacity: max. 65-sheet multi-position staple\*<sup>1</sup>

Staple position: 1-point at front (Slant), 1-point at back (Slant), 2 point stitching

Manual Stapling: 1-point at rear (Flat), 45 sheets (64 g/m<sup>2</sup>), 40 sheets (80 g/m<sup>2</sup>)

Stapleless capacity: max.5-sheet (64 g/m<sup>2</sup>), 4 sheet (65 - 81.4 g/m<sup>2</sup>),

3 sheet (81.5 - 105 g/m<sup>2</sup>)

Stapleless position: 1-point at rear (Slant), A3 - B5

Saddle stitch tray (lower): 10 sets (11-15 sheets), 15 sets (6-10 sheets),

25 sets (1-5 sheets). 20 sheets max per set

### 17. MX-FN30 3k Finisher

A3 - B5 (offset/staple), SRA3 - A5R (non offset)

Offset tray (upper): max.3,000-sheet paper capacity\*<sup>1</sup>

Stapling capacity: max. 65-sheet multi-position staple\*<sup>1</sup>

Staple position: 1-point at front (Slant), 1-point at back (Slant), 2 point stitching

Manual Stapling: 1-point at rear (Flat), 45 sheets (64 g/m<sup>2</sup>), 40 sheets (80 g/m<sup>2</sup>)

Stapleless capacity: max.5-sheet (64 g/m<sup>2</sup>), 4 sheet (65 - 81.4 g/m<sup>2</sup>),

3 sheet (81.5 - 105 g/m<sup>2</sup>)

Stapleless position: 1-point at rear (Slant), A3 - B5

### Optional Punch Module for MX-FN31 & MX-FN30:

#### MX-PN16C - 2/4 Hole Punch Module

#### MX-PN16D - 4 Hole Wide Punch Module

### Printing

#### MX-PF10 Barcode Font Kit

Enables barcode printing

### Faxing

#### MX-FX15 Fax Expansion Kit

#### MX-FWX1 Internet Fax Expansion Kit

### Scanning

#### AR-SU1 Stamp Unit

Marks already scanned documents for checking

### Sharpdesk Licenses

#### MX-USX1/X5

1/5-License Kit

#### MX-US10/50/A0

10/50/100-License Kit

### Sharp OSA<sup>®</sup>

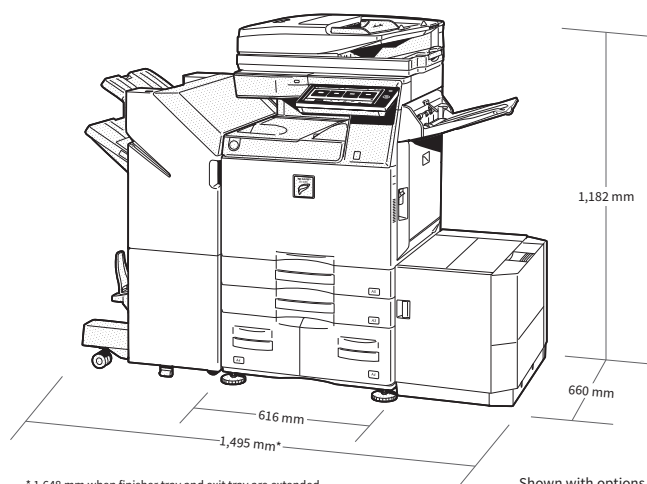
#### MX-AMX1 Application Integration Module

### Security

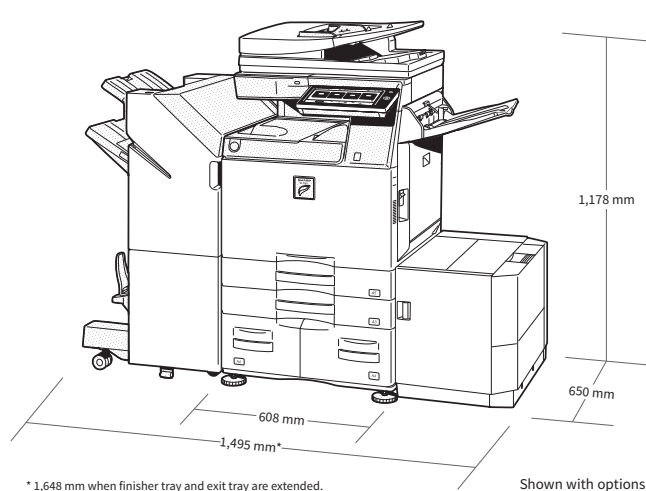
#### MX-FR52U Data Security

Commercial Version

Model shown MX-4070V



Model shown MX-3560V



\*<sup>1</sup> Number of sheets based on 80 g/m<sup>2</sup>.

# Specifications

## General

<b>Engine speed</b> (ppm/cpm) (Max)	<b>A4**1</b>	<b>A3</b>	<b>SRA3</b>
MX-6070V	60	30	29
MX-5070V	50	26	24
MX-4070V/MX-4060V	40	20	18
MX-3570V/MX-3560V	35	18	16
MX-3070V/MX-3060V	30	16	15
<b>Control panel display</b>	10.1-inch colour LCD touchscreen		
<b>Paper size</b> (Min – Max)	A5**2 - SRA3		
<b>Paper weight</b> (g/m <sup>2</sup> )			
Tray	60 - 300		
Multi-bypass	55 - 300		
<b>Paper capacity</b> (Std – Max)			
Sheets	650 - 6,300		
Drawers	1 - 4 (plus bypass tray)		
<b>Warm-up time**3</b> (seconds)			
MX-6070V/MX-5070V	15		
MX-4070V/MX-3570V/MX-3070V	10		
MX-4060V/MX-3560V/MX-3060V	10		
<b>Memory</b> (GB)			
Copier/Printer (shared)	5		
HDD**4	500		
<b>Power requirements</b>	Rated local AC voltage $\pm$ 10%, 50/60 Hz		
<b>Power consumption</b> (kW) (Max)			
MX-6070V/MX-5070V	2.07 (220 to 240V)		
MX-4070V/MX-3570V/MX-3070V	1.84 (220 to 240V)		
MX-4060V/MX-3560V/MX-3060V	1.84 (220 to 240V)		
<b>Dimensions</b> (mm) (W x D x H)			
MX-6070V/MX-5070V	616 x 660 x 838		
MX-4070V/MX-3570V/MX-3070V	616 x 660 x 838		
MX-4060V/MX-3560V/MX-3060V	608 x 650 x 834		
<b>Weight</b> (kg)			
MX-6070V/MX-5070V	90		
MX-4070V/MX-3570V/MX-3070V	87		
MX-4060V/MX-3560V/MX-3060V	79		

## Copier

<b>Original paper size</b> (Max)	A3		
<b>First copy time**5</b>	<b>Full colour</b>	<b>B/W</b>	
MX-6070V/MX-5070V	4.8	3.7	
MX-4070V/MX-3570V/MX-3070V	6.7	4.7	
MX-4060V/MX-3560V/MX-3060V	6.7	4.7	
<b>Continuous copies</b> (Max)	9,999		
<b>Print resolution</b> (dpi)			
Scan (colour)	600 x 600		
Scan (B/W)	600 x 600, 600 x 400		
Print	1,200 x 1,200, 600 x 600, 9,600 (equivalent) x 600 (depending on copy mode)		
<b>Gradation levels</b>	256		
<b>Zoom range</b> (%)	25 – 400, (25 – 200 using DSPF/RSPF) in 1% increments		
<b>Preset copy ratios</b> (Metric)	10 ratios (5R/5E)		

## Wireless LAN

<b>Compliant regulation</b>	IEEE802.11n/g/b
<b>Access mode</b>	Infrastructure mode, Software AP mode
<b>Security</b>	WEP, WPA/WPA2-mixed PSK, WPA/WPA2-mixed EAP**6, WPA2 PSK, WPA2 EAP**6

## Network Scanner

<b>Scan method</b>	Push scan (via control panel) Pull scan (TWAIN-compliant application)	
<b>Scan speed**7</b> (ipm) (Max)	<b>One-sided</b>	<b>Two-sided</b>
MX-6070V/MX-5070V	100	200
MX-4070V/MX-3570V/MX-3070V	100	200
MX-4060V/MX-3560V/MX-3060V	80	25
<b>Resolution</b> (dpi) (Max)		
Push scan	100, 150, 200, 300, 400, 600	
Pull scan	75, 100, 150, 200, 300, 400, 600 50 to 9,600 dpi via user setting	
<b>File formats</b>	TIFF, PDF, PDF/A, encrypted PDF, compact PDF**8, JPEG**8, XPS, searchable PDF, Microsoft® Office (pptx, xlsx, docx), text (TXT), rich text (RTF)	
<b>Scan destinations</b>	Scan to e-mail, desktop, FTP server, network folder (SMB), USB memory, HDD	
<b>Scanner utilities</b>	Sharpdesk	

## Document Filing

<b>Document filing capacity**9</b>	<b>Pages</b>	<b>Files</b>
Main & custom folders	20,000	3,000
Quick file folder	10,000	1,000
<b>Stored jobs**10</b>	Copy, print, scan, fax transmission	
<b>Storage folders</b>	Quick file folder, main folder, custom folder (max. 1,000)	
<b>Confidential storage</b>	Password protection (for main & custom folders)	

## Network Printer

<b>Resolution</b> (dpi)	1,200 x 1,200, 600 x 600, 9,600 (equivalent) x 600
<b>Interface</b>	USB 2.0, 10Base-T/100Base-TX/1000Base-T
<b>Supported OS</b>	Windows Server® 2008, 2008R2, 2012, 2012R2, Windows Vista®, Windows® 7, 8, 8.1, 10, Mac OS X 10.6, 10.7, 10.8, 10.9, 10.10, 10.11, 10.12, 10.13
<b>Network protocols</b>	TCP/IP (IPv4, IPv6)
<b>Printing protocols</b>	LPR, Raw TCP (port 9100), POP3 (e-mail printing), HTTP, FTP for downloading print files, IPP, SMB, WSD
<b>PDL</b>	PCL 6 emulation, Adobe® PostScript®3™
<b>Available fonts</b>	80 fonts for PCL, 139 fonts for Adobe PostScript 3

## Fax (optional MX-FX15 required)

<b>Compression method</b>	MH/MR/MMR/JBIG
<b>Communication protocol</b>	Super G3/G3
<b>Transmission time**11</b> (seconds)	Less than 3
<b>Modem speed</b> (bps)	33,600 – 2,400 with automatic fallback
<b>Transmission resolution</b> (dpi)	203.2 x 97.8 (Std) / 406.4 x 391 (Ultra Fine)
<b>Recording width</b>	A3 – A5
<b>Memory</b> (GB)	1 (built-in)

\*\*1 Long-edge feeding. \*\*2 Only short-edge feeding can be used with A5 paper. \*\*3 At rated voltage, 23°C (73.4°F). May vary depending on operating conditions and environment. \*\*4 HDD capacity depends on procurement and sourcing status. \*\*5 Long-edge feeding of A4 sheets from 1st paper tray, using document glass, without Auto Colour Selection and Auto Colour mode, MFP in fully ready condition. May vary depending on operating conditions and environment. \*\*6 Not applicable to Software AP mode. \*\*7 Based on Sharp's A4 standard chart, using document feeder and long-edge feeding. Using factory default settings with Auto Colour Selection off. Scan speed will vary depending on the type of document and the scan settings. \*\*8 Colour only. \*\*9 Storage capacity will vary depending on the type of document and the scan settings. \*\*10 Some features require option(s). \*\*11 Based on Sharp's standard chart with approx. 700 characters (A4 long-edge feeding) at standard resolution in Super G3 mode, 33,600 bps, JBIG compression.

Design and specifications are subject to change without prior notice. All information was correct at time of print. The ENERGY STAR logo is a certification mark and may only be used to certify specific products that have been determined to meet the ENERGY STAR programme requirements. ENERGY STAR is a US registered mark. Windows, Windows NT, Windows XP and Windows Vista are registered trademarks of Microsoft Corporation. Adobe and PostScript 3 are either registered trademarks or trademarks of Adobe Systems Incorporated in the U.S. and/or other countries. All other company names, product names and logos are trademarks or registered trademarks of their respective owners. ©Sharp Corporation January 2018. Ref: MX-6070V/MX-5070V/MX-4070V/MX-3570V/MX-3070V/MX-4060V/MX-3560V/MX-3060V Brochure Job: (18777). All trademarks acknowledged. E&OE.