

SHARP

MX-M232D/MX-M202D/MX-M182D
Digital Multifunctional System



SMALL BUT
POWERFUL

If you use something every day it should fit with the way you work
/This is Why we made these versatile, space-saving MFPs.

We know that you have busy days - and very busy days **/This is Why** we make our MFPs work as hard as you.

Introducing three new MFPs. We call them the MX-M232D, the MX-M202D and the MX-M182D. Other people call them 'essential'. Page after page, day after day, this is equipment your whole team can really rely on.

Copy and print in pleasingly crisp black & white, at speeds of up to 23 pages per minute. Scan and store documents in full colour. Use both sides of A3 with ease. Whatever you do you'll find that productivity comes as standard.

You'll be surprised at what we've managed to fit in to these compact machines. There's Offset Stacking which makes it easier to retrieve different sets of documents. Plus, you get Electronic Sorting (no need for a bulky external collator) and a Job Separator to stop jobs getting mixed up.

We've added a new Separation Roller to keep the paper flowing smoothly and our time-proven SPLC and RIP Once Print Many technology to keep your work flowing faster.

All of this is included on every model. But you don't have to stop there. You can choose from a huge range of optional extras to create an essential item of office equipment that meets your every need.

FULL COLOUR SCANNING



**There's only one world and we all have to share it
/This is Why we're making our products kinder to the
environment.**

The first thing you'll notice about these MFPs is how little space they take up. As time goes by, you'll also discover how little energy they use.

They warm up in just 25 seconds, saving you time as well as money. They bear the Energy Star label, which proves they're efficient. Two-sided printing helps save paper. And they all have Pre-heat and Auto Power Shut Off modes, which reduce energy consumption without you even having to think about it.



We know you're unique /This is Why we give you more choice.

No two workgroups are quite alike. And when it comes to office equipment, what you want now may be different to what you need next year. But when you buy one of these MFPs you're investing in the future. Not only can you specify the features you need today but you can add more as your needs change.

Maybe you'll want to increase the paper supply. No problem - extra trays can take it right the way up to 1,100 sheets. And that's a real bonus if you've decided to share the MFP with colleagues by adding the Network Expansion Kit.



OPTIONAL NETWORK PRINTING WITH PCL 6



Easy scanning and document management

The Network Expansion Kit also gives you network scanning (to email, desktop and FTP server) and scanning to USB. You can add faxing, of course, and there's a choice of document feeders for making it easier to work with two-sided originals.

Plus, you can add Sharpdesk for effortless drag-and-drop management of documents on your PC.

But these are just some of the possibilities. Turn the page for a full list of options and upgrades. You'll find that Sharp is different because we know you are, too.

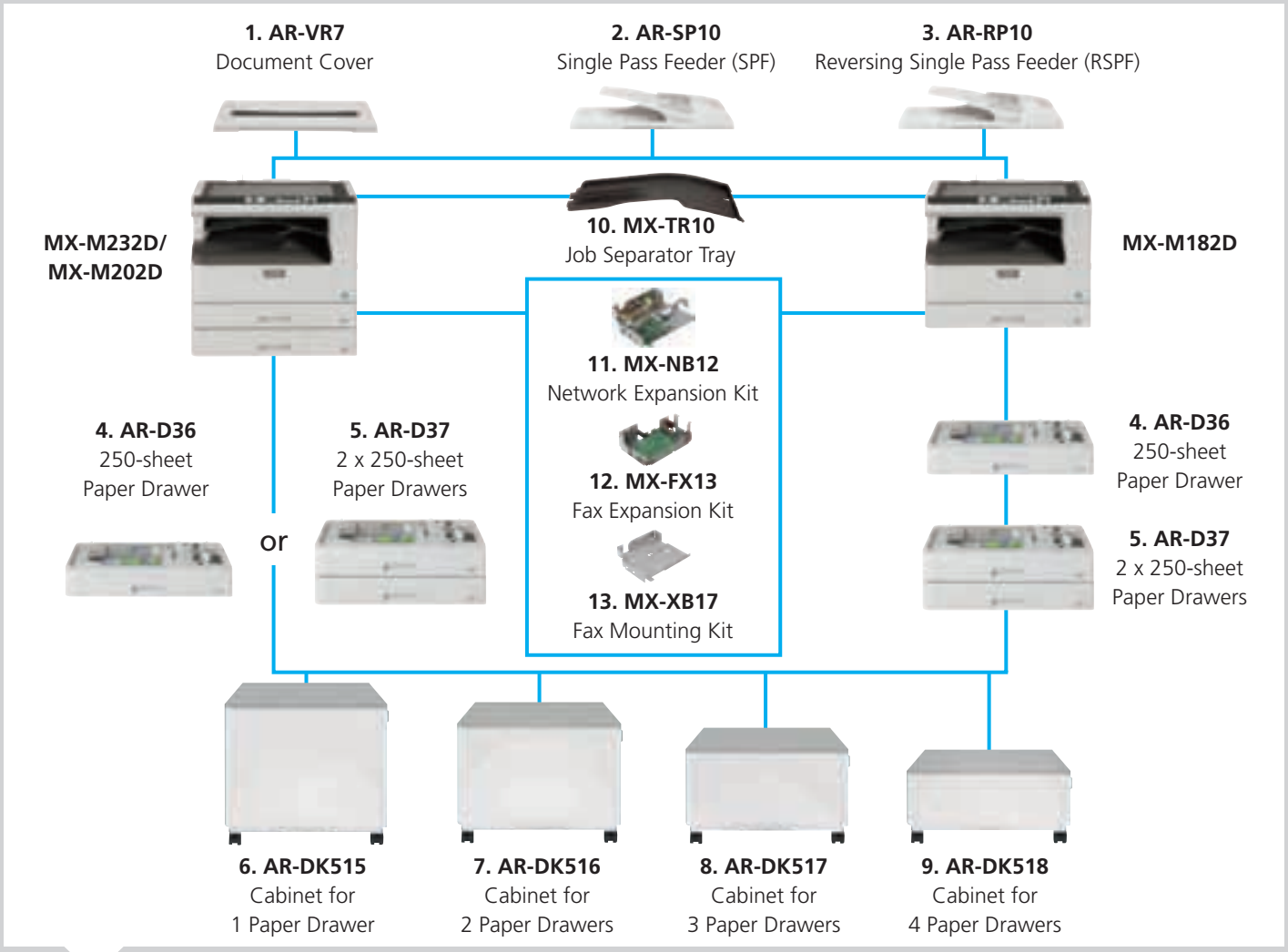


OPTIONAL SCAN
TO USB



OPTIONAL DOCUMENT
FEEDERS

**OPTIONS &
CONFIGURATION EXAMPLES**



Note: MX-M182D can simultaneously accommodate AR-D36 and AR-D37.

Base Unit

1. AR-VR7 Document Cover

2. AR-SP10 Single Pass Feeder (SPF)

For feeding one sided originals (40 sheets)

3. AR-RP10 Reversing Single Pass Feeder (RSPF)

For copying and scanning both sides of the original (40 sheets)

4. AR-D36 250-sheet Paper Drawer

For extending paper capacity for large print runs B5 – A3, 250 sheets (56 – 90 g/m²)

5. AR-D37 2 x 250-sheet Paper Drawers

For extending paper capacity for large print runs B5 – A3, 250 sheets each (56 – 90 g/m²) for lower and upper trays

Cabinet

6. AR-DK515 Cabinet for 1 Paper drawer

7. AR-DK516 Cabinet for 2 Paper drawers

8. AR-DK517 Cabinet for 3 Paper drawers

9. AR-DK518 Cabinet for 4 Paper drawers

Finishing

10. MX-TR10 Job Separator

For separating output according to the type of job (print/copy/fax)

A6 – A3, 100 sheets (upper tray), 150 sheets (lower tray MFP)

Faxing

11. MX-FX13 Fax Expansion Kit

Super G3 fax module

Requires MX-NB12 or MX-XB17

12. MX-XB17 Fax Mounting Kit

Not required if MX-NB12 is installed

Connectivity

Printing/Scanning

MX-NB12 Network Expansion Kit

Interface board for network printing/scanning

MX-PK10 PS3 Expansion Kit

Enables PostScript printing

Requires MX-NB12

MX-EB14 Expansion Memory Board

128 MB

Sharpdesk Licences

MX-USX1 x 1 user

MX-USX5 x 5 users

MX-US10 x 10 users

MX-US50 x 50 users

MX-USA0 x 100 users

GENERAL

Engine speed (ppm/cpm) (Max)	A4	A3
MX-M232D	23	12
MX-M202D	20	11
MX-M182D	18	11
Paper size (Min – Max)	A6 – A3	
Paper weight (g/m²)	56 – 90	
Drawer	56 – 200	
Bypass	56 – 200	
Paper capacity (sheets) (Std – Max)	600 – 1,100	
MX-M232D/MX-M202D	600 – 1,100	
MX-M182D	350 – 1,100	
Paper capacity (drawers) (Std – Max)	2 – 4 (plus bypass tray)	
MX-M232D/MX-M202D	2 – 4 (plus bypass tray)	
MX-M182D	1 – 4 (plus bypass tray)	

Warm-up time*¹ (seconds)	Less than 25
Memory (MB) (Min – Max)	128 – 256
Power requirements	Rated local AC voltage $\pm 10\%$, 50/60 Hz
Power consumption kW (Max)	1.2 (220 – 240V)
Dimensions (mm) (W x D x H)	591 x 573 x 595
MX-M232D/MX-M202D	591 x 573 x 495
MX-M182D	591 x 573 x 495
Weight (kg)	35
MX-M232D/MX-M202D	35
MX-M182D	29.6

COPIER

Original paper size (Max)	A3
First copy time*² (seconds)	5.9
MX-M232D	5.9
MX-M202D/MX-M182D	7.2
Continuous copies (Max)	999
Resolution (dpi)	600 x 600
Gradation levels	256
Zoom range (%)	25 – 400 (50 – 200 using SPF/RSPF) in 1% increments
Preset copy ratios	10 (5R/5E)

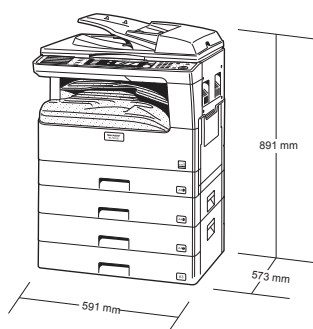
PRINTER

Resolution (dpi)	600 x 600
Interface	USB 2.0
Supported OS	Windows® 2000/XP, Windows Vista®, Windows® 7
PDL emulation	SPLC (Sharp Printer Language with Compression)

NETWORK PRINTER (requires optional MX-NB12)

Interface	10Base-T/100Base-TX, USB 2.0
Supported OS	Std Windows® 2000/XP, Windows Server® 2003/2008/2008R2, Windows Vista®, Windows® 7 Opt* ³ Mac OS X 10.2.8, 10.3.9, 10.4.11, 10.5 – 10.5.8, 10.6 – 10.6.8
Memory (MB)	256
Network protocols	TCP/IP (IPv4)
Printing protocols*³	LPR, Raw TCP (port 9100)
PDL emulation	Std PCL 6 Opt* ³ PS3
Available fonts	PCL 80 PS3* ³ 136

EXTERNAL DIMENSIONS



Shown with options.

NOTES

- *¹ At rated voltage. May vary depending on machine conditions and operating environment.
*² Best achieved time based on A4 sheets, feeding from first paper drawer, using document glass, when machine is ready. May vary depending on machine conditions and operating environment.
*³ MX-PK10 required for PS3, Mac OS and EtherTalk.
*⁴ Resolutions higher than 600 dpi are interpolated.
*⁵ Sharpdesk can be used on computers running Windows® XP, Windows Vista® and Windows® 7.
*⁶ Not required if MX-NB12 is installed.
*⁷ Based on Sharp's standard chart with approx. 700 characters (A4 long-edged feeding at standard resolution in Super G3 mode, 33,600 bps, JBIG compression).

COLOUR SCANNER

Scan method	Push scan (via operation panel) Pull scan (with TWAIN-supporting application)
Resolution (dpi)	Push 75, 100, 150, 200, 300, 400, 600 (via Button Manager) Pull Setting range 50 – 9,600* ⁴ (via TWAIN compliant application)
Protocols	TWAIN, WIA (Windows® XP only), STI
Interface	USB 2.0
Supported OS*⁵	Windows® 2000/XP, Windows Vista®, Windows® 7
Scanner utilities	Button Manager, Sharpdesk

NETWORK SCANNER (requires optional MX-NB12)

Scan method	Push scan (via operation panel)
Resolution (dpi)	75, 100, 150, 200, 300, 400, 600
File formats	JPEG, PDF, TIFF
Scanner utilities	Sharpdesk
Supported OS*⁵	Windows® 2000/XP, Windows Server® 2003/2008/2008R2, Windows Vista®, Windows® 7
Scan destinations	e-mail, desktop, FTP server, USB

FAX (requires optional MX-FX13 and MX-XB17*⁶)

Compression method	MH/MR/MMR/JBIG
Communication protocol	Super G3/G3
Transmission time*⁷ (seconds)	Less than 3
Modem speed (bps)	33,600 – 2,400 with automatic fallback
Transmission resolution (dpi)	Std 203.2 x 97.8 Super Fine 406.4 x 391
Recording width	A5 – A3
Memory (MB)	16 (not upgradeable)
Grey scale levels	256



Design and specifications are subject to change without prior notice. All information was correct at time of print. The ENERGY STAR logo is a certification mark and may only be used to certify specific products that have been determined to meet the ENERGY STAR programme requirements. ENERGY STAR is a US registered mark. The ENERGY STAR guidelines apply to products only in the US, Europe, Australia, New Zealand and Japan. Windows, Windows NT, Windows XP and Windows Vista are registered trademarks of Microsoft Corporation. All other company names, product names and logos are trademarks or registered trademarks of their respective owners. ©Sharp Corporation November 2011 Ref: MX-M232D/MX-M202D/MX-M182D. All trademarks acknowledged. E&OE.

www.sharp.eu

SHARP

SHARP ELECTRONICS (UK) LTD
4 FURZEGROUND WAY
STOCKLEY PARK
UXBRIDGE
MIDDLESEX UB11 1EZ
TEL: 0800 138 5051
REPUBLIC OF IRELAND: (+353) (0)20 8734 2000